

THE NEW GENERATION OF GLOBAL BILL ACCEPTORS

The HLRC

DESIGNED FOR:

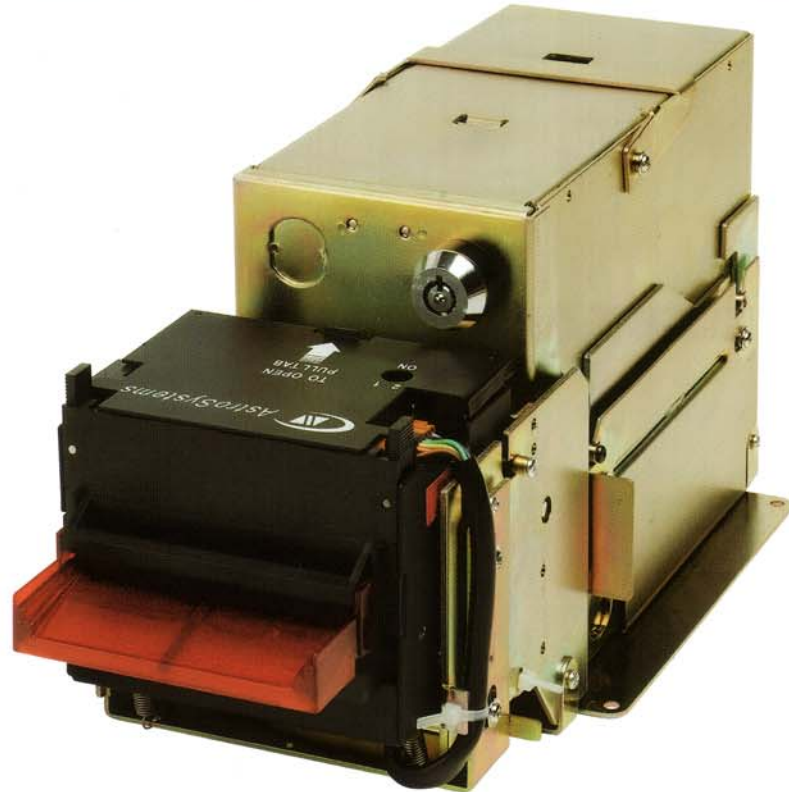
AWP

REVALUATION UNITS

CHANGE MACHINES

CAR PARK PAY STATIONS

UNDERGROUND TICKET DISPENSERS



HIGH SECURITY DUAL KEY CASSETTE SYSTEM

Lockable, removable cash box as standard, for secure transportation of takings from machine to cashroom.

Built in carrying handle for simple removal and transportation.



EURO-COMPLIANT: ACCEPTS 14 NOTE DENOMINATIONS IN ALL FOUR DIRECTIONS

The HLRC is designed to accommodate the note widths of the new Euro currency, and accepts up to 14 note denominations in all four directions, enabling Euro and National currency acceptance during the dual currency period.



ILLUMINATED NOTE GUIDE

Highlights note entrance attracting customer attention.



RELIABILITY

Robust construction designed to withstand the rigours of the AWP market place.



INCREASED COUNTERFEIT DETECTION

Unique application of advanced sensor technology and the use of magnetic reader heads greatly increases detection of counterfeit notes. A new Optical Anti-Stringing device provides advanced protection from attempts to 'string' or 'steal' notes.



EASE OF PROGRAMMING

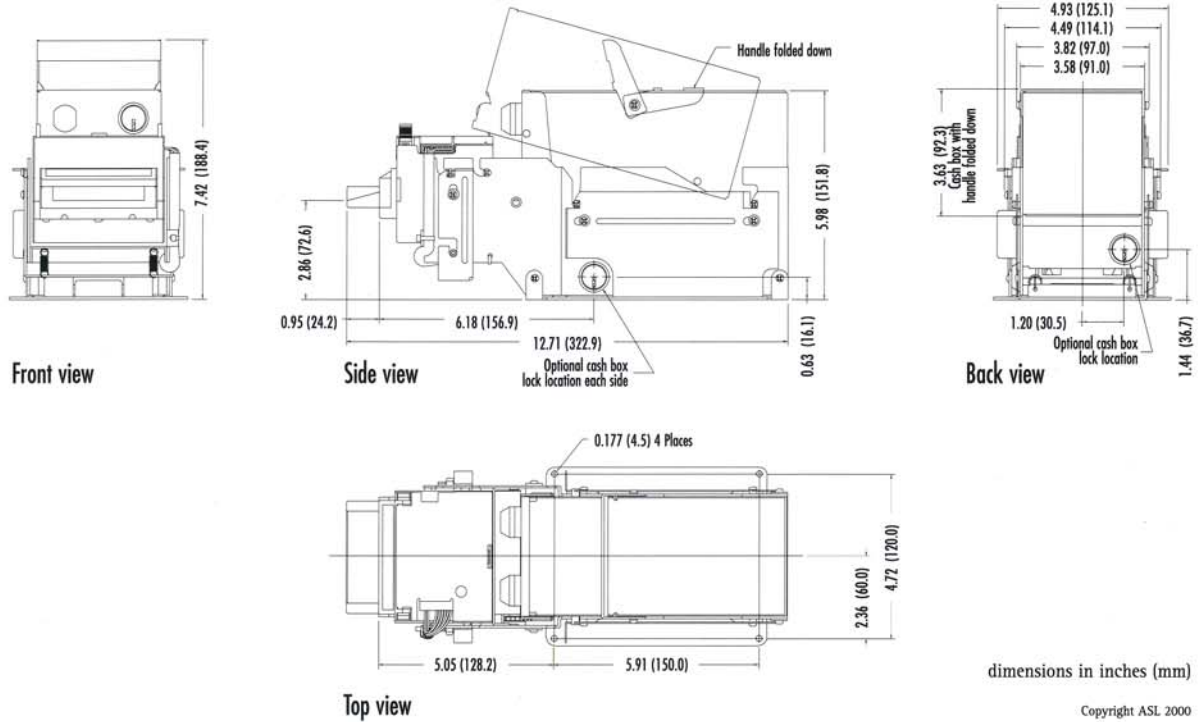
Single, easy-access dip switch enables calibration and configuration by use of the interface programming card (no tools required).

Call AstroSystems for details:

Tel **+44 (0)1235 772201**

Fax **+44 (0)1235 772202**

E-mail **sales@astrosystems.co.uk**



SPECIFICATION

13 sensors: 8 optical, 3 magnetic heads, one internal optical anti-stringing, and one high resolution fraud sensor.

Interfaces: Parallel, Pulse, TTL Serial, RS232 TTL, RS232C*, RS485*, MDB*, Protocol A (Executive)*

* With optional interface adapter or PSU

Standard operation 12VDC +/- 10%

PSU options: 24 VDC, 110 VAC, 220 VAC, 110/220 VAC (selectable)

Accepts up to 14 note denominations with four-way acceptance (subject to interface requirement)

Note widths up to 82mm. Maximum note length 170mm

Cabinet mounted with rear access cash box

Environmental Range: -20°C to +70°, 90% humidity non-condensing operating and storage

Single note ESCROW

Manufactured to ISO9001 standards with UL and CE conformity

Cash box capacity 400 as standard

STACKING OPTIONS

AstroSystems provide high quality, technically superior electronic payment systems suitable for all applications requiring cost effective, secure note validation. For further details on our range of currency handling products, please contact the number below.



An AstroSystems International Company

No. 1, The Quadrangle, Grove Technology Park,
Wantage, Oxon OX12 9FA, UK
Tel: +44 (0)1235 772201 Fax: +44 (0)1235 772202
E-mail: sales@astrosystems.co.uk

GBA and AstroSystems are trademarks of AstroSystems International Ltd.

US Office: AstroSystems Inc., 4210 Production Court, Las Vegas, NV 89115, USA
Tel: +1 702 643 1600 Fax: +1 702 643 1717
E-mail: sales@astrosystemsinc.com

Sydney Office: Microsystem Controls Pty Ltd., Unit 6, 11 Robertson Place,
South Penrith, New South Wales 2750, Australia
Tel: +61 2 4731 6655 Fax: +61 2 4731 4934 E-mail: sales@microcoin.com

Melbourne Office: Microsystem Controls Pty Ltd., 17-21 Buckhurst St., South
Melbourne, Victoria 3205, Australia
Tel: +61 3 9682 5222 Fax: +61 3 9682 8188 E-mail: sales@microcoin.com